

Ethernet to RF Gateway



ORDER INFORMATIONS

MODEL	V3_Eth_RF
--------------	------------------

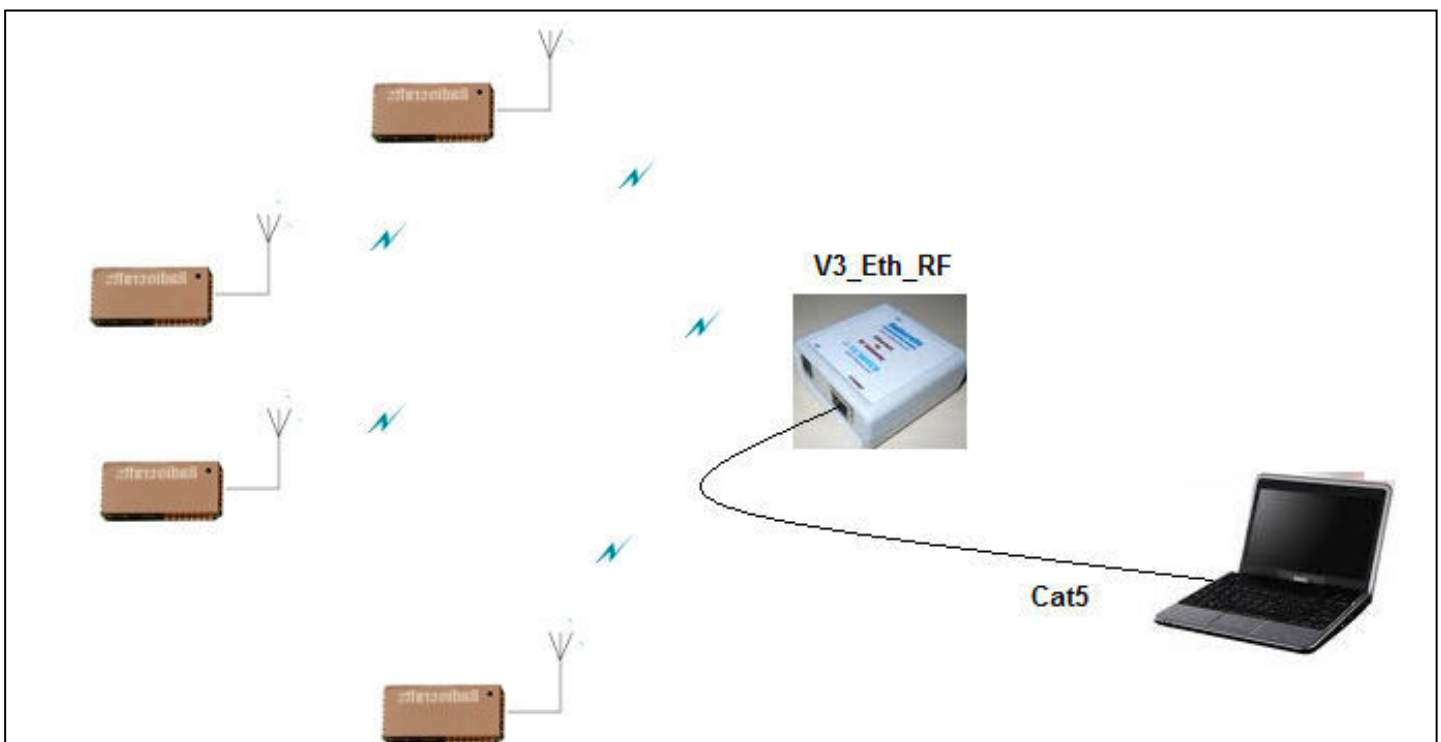
Product Description

The Radiocrafts "RC1140/RC1170/RC2500" series of high performance narrow band RF modules are the world's smallest complete and compact RF transceivers with embedded protocol. With only half a square inch footprint the module fits into the smallest OEM products providing a cost-effective wireless solution. No additional components are needed for excellent RF performance, except for a simple antenna.

Using above modules, V3Novus has developed "V3_Eth_RF" Gateway module which provides a bridge between its Ethernet and Radiocrafts's mesh network.

The gateway is embedded with web pages and the configuration is using Ethernet.

Implementation in Network



Ethernet to RF Gateway

Technical Features

Features:

- Embedded web pages for configuration
- Two way (half-duplex).
- Point-to-point.
- Point-to-multipoint.
- Addressing and broadcasting >65000 unique addresses.
- Data buffer up to 128 bytes.
- CRC calculation and error check.
- Ultra low power OFF and SLEEP modes (< 1 uA).
- Transparent between application software and RF nodes.

RF Parameters:

- 25kHz channel operation
- Excellent sensitivity (-115 dBm)
- 433 MHz (69 channels)
- 868 MHz (80 channels)
- 2.4GHZ (83 channels)
- 100kbps
- Very low power (20.2 mA in RX)
- Up to 6 dBm output power (26 mA)
- 50 Ohm antenna interface
- 2-4 km range line-of-sight
- CE certified under R&TTE

Interface:

Ethernet

Note : Request you to contact sales@v3novus.com for complete technical information of the product and related documents.