



# RUGGED GNSS RECEIVER WITH DISPLAY...

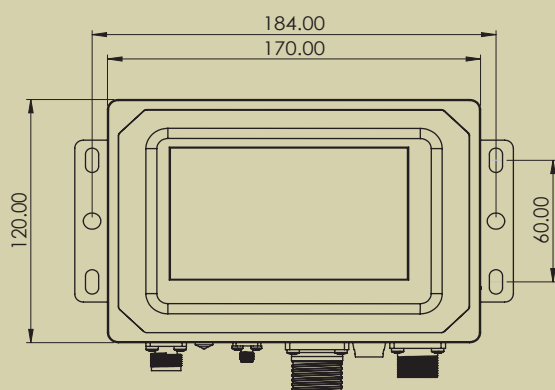
## Key Features :

- ❖ Multi GNSS receiver supporting GPS/GLONASS/Galileo/BeiDou/IRNSS/QZSS
- ❖ Rugged Construction to meet MIL Standards
- ❖ NMEA 0183 Ver 3.1 Output message
- ❖ 10/100/1000 Ethernet Interface
- ❖ Low power consumption
- ❖ Compliance as per MIL-810G, MIL461F
- ❖ Concurrent GNSS Engine
- ❖ 5" Rugged Sun Readable Display with capacitive touch

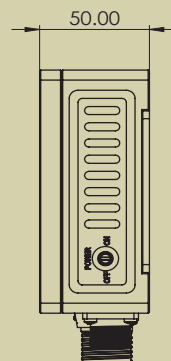


V3Novus Rugged GNSS Receiver is a GPS, GLONASS, QZSS, BeiDou, GALILEO, IRNSS L5 receiver designed and built to meet Military Standards, Our receiver is a Concurrent Receiver Supporting IRNSS L5 & S Band along with other GNSS Frequencies. Receiver comes with RS-232, RS-422/485 & an Ethernet interface for standard NMEA data.

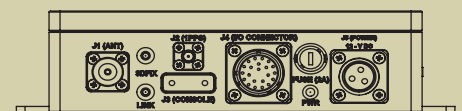
## Mechanical Dimensions:



TOP VIEW



SIDE VIEW



FRONT VIEW

All Dimensions are in mm.



## GNSS Receiver

Frequency	GPS/QZSS: L1 (C/A) & L2 (C), L5 GLONASS: L1 & L2 (C/A) BEIDOU: B1I GALILEO: E1 I IRNSS : L5 & S BAND S BAS : L1(GAGAN, WAAS)	
Channels	Support 135 channels	
Update rate	1Hz default, up to 10Hz	
Axial Ratio	< 1 dB typical.	
Acquisition Time	Hot start (Open Sky)	1s (typical)
	Cold Start (Open Sky)	28s (typical) without AGPS
Position Accuracy	AUTONOMOUS:2.5m (CEP)	
PPS signal accuracy	TYPICAL ± 1 ms for PPS	
Time to Fix	28 sec Cold Start 15 sec Warm Start < 2 sec Hot Start < 1 sec Reacquisition	
Sensitivity	-150 dB m Acquisition -165 dB m Tracking	
Positional Modes	GPS Only GLONASS Only Combined GPS and GLONASS Differential GPS IRNSS Only	
Velocity Accuracy	0.2 m/s, (95%)	
Time Accuracy	<100 ns (95%)	
Update Rate	1Hz ~ 20Hz	
Dynamics	Max Velocity: 515 m/s Max Acceleration: 4g	
Altitude	Max Altitude: 18,000 m Min Altitude: -1000m	

## ORDERING GUIDE

### V3N-RGNSS-R-XX-YY

#### xx - Accessories

- 01 - With Antenna
- 02 - With Antenna and RF Cable

#### yy = Cable Length

- 00 - No Cable
- 05 - 5m
- 15 - 15m
- 25 - 25m

## MECHANICAL

Dimensions	170 x 120 x 50	
Weight	<1.5 Kgs	
Mounting Method	Flange Mount	
Communication Cable Length	3m Standard (5m & 10m On Request)	
Cable Type	Shielded CAT6 PTFE Cable	
Connector	MIL-STD Connector	
Enclosure	AL 6061-T6, weatherproof IP68K	
Color	Mil Green	

## ELECTRICAL

Voltages	9 to 36V	
Current	650 mA during acquisition 500 mA operating, Standby mode < 1mA	

## INTERFACE

OUTPUT	ETHERNET (NMEA 0183 Ver 3.1) RS-232 RS-422/485	
1PPS	1 No	
USB	1 No	

## ENVIRONMENTAL

Operating Temperature	-20C to +70C	
Storage Temperature.	-40C to +85C	
Weatherproof	IP68K	
Max .Altitude	< 18,000 m	
Max. Velocity	< 500 m/s	
Shock	MIL-STD-810G	
Vibration .	MIL-STD-810G	
Emissions	MIL-STD-810G	
Immunity	MIL-STD-810G	
Salt Fog	MIL-STD-810G	
Mechanical Vibration	MIL-STD-810G	
Sand and Dust	MIL-STD-810G	



+91 9880150656  
E mail : sales@v3novus.com